



★ ★ ★ ★ ★ ★ **HELLO KITTY** ★ ★ ★ ★ ★

© 1976, 2012 SANRIO CO., LTD.

## **TEA CUP CLOCK RADIO WITH NIGHT LIGHT**



**USER MANUAL  
KT2055**

**CAUTION: ELECTRICALLY OPERATED PRODUCT-**  
Please use care when plugging into AC outlet.

## WARNING

TO PREVENT FIRE OR SHOCK HAZARD, DO NOT USE THIS PLUG WITH AN EXTENSION CORD, RECEPTACLE OR OTHER OUTLET UNLESS THE BLADES CAN BE FULLY INSERTED TO PREVENT BLADE EXPOSURE. TO PREVENT FIRE OR SHOCK HAZARD, DO NOT EXPOSE THIS APPLIANCE TO RAIN OR MOISTURE.



The lightning flash with arrow-head symbol, within an equilateral triangle is intended to alert the user to the presence of uninsulated 'dangerous voltage' within the product's enclosure that may be of sufficient magnitude to constitute a risk of electric shock to persons.

### WARNING

**RISK OF ELECTRIC SHOCK  
DO NOT OPEN**

CAUTION: TO REDUCE THE RISK OF ELECTRIC SHOCK DO NOT REMOVE COVER (ON BACK), NO USER SERVICEABLE PARTS INSIDE REFER SERVICING TO QUALIFIED SERVICE PERSONNEL.



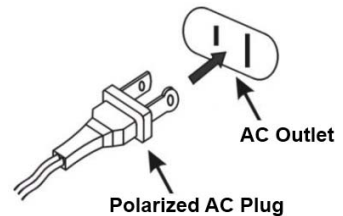
The exclamation point within an equilateral triangle is intended to alert the user to the presence of important operating and maintenance (servicing) instructions in the literature accompanying the appliance.

## IMPORTANT SAFETY INSTRUCTIONS

1. Read these instructions.
2. Keep these instructions.
3. Heed all warnings.
4. Follow all instructions.
5. Do not use this apparatus near water.
6. Clean only with dry cloth.
7. Do not block any ventilation openings. Install in accordance with the manufacturer's instructions.
8. Do not install near any heat sources such as radiators, heat registers, stoves, or other apparatus (including amplifiers) that produce heat.
9. Do not defeat the safety purpose of the polarized or grounding-type plug. A polarized plug has two blades with one wider than the other. A grounding type plug has two blades and a third grounding prong. The wide blade or the third prong is provided for your safety. If the provided plug does not fit into your outlet, consult an electrician for replacement of the obsolete outlet.
10. Protect the power cord from being walked on or pinched particularly at plugs, convenience receptacles, and the point where they exit from the apparatus.
11. Only use attachments / accessories specified by the manufacturer.
12. Unplug this apparatus during lightning storms or when unused for long periods of time.

13. Refer all servicing to qualified service personnel. Servicing is required when the apparatus has been damaged in any way, such as power-supply cord or plug is damaged, liquid has been spilled or objects have fallen into the apparatus, the apparatus has been exposed to rain or moisture, does not operate normally, or has been dropped.
14. This appliance shall not be exposed to dripping or splashing water and that no object filled with liquids such as vases shall be placed on the apparatus.
15. The mains plug is used as disconnect device. The mains plug of apparatus should not be obstructed OR should be easily accessed during intended use. To completely disconnect the power input, the mains plug of apparatus shall be disconnected from the mains.
16. Battery shall not be exposed to excessive heat such as sunshine, fire or the like.
17. Caution Marking and rating plate was located at bottom enclosure of the apparatus.
18. **WARNING - THIS IS A CLOCK RADIO - NOT A TOY! TO AVOID RISK OF FIRE, BURNS, PERSONAL INJURY AND ELECTRIC SHOCK IT SHOULD NOT BE PLAYED WITH OR PLACED WHERE SMALL CHILDREN CAN REACH IT.**

**CAUTION: TO PREVENT ELECTRIC SHOCK, MATCH WIDE BLADE OF PLUG TO WIDE SLOT, FULLY INSERT.**



## COMPLIANCE WITH FCC REGULATIONS

This device complies with Part 15 of the FCC Rules. Operation is subject to the following two conditions:

- (1) This device may not cause harmful interference, and
- (2) This device must accept any interference received, including interference that may cause undesired operation.

This equipment has been tested and found to comply with the limits for a Class B digital device, pursuant to Part 15 of the FCC Rules. These limits are designed to provide reasonable protection against harmful interference in a residential installation. This equipment generates, uses and can radiate radio frequency energy and, if not installed and used in accordance with the instructions, may

cause harmful interference to radio communications. However, there is no guarantee that interference will not occur in a particular installation. If this equipment does cause harmful interference to radio or television reception, which can be determined by turning the equipment off and on, the user is encouraged to try to correct the interference by one or more of the following measures:

- Reorient or relocate the receiving antenna
- Increase the separation between the equipment and receiver.
- Connect the equipment into an outlet on a circuit different from that to which the receiver is connected.
- Consult the dealer or an experienced radio technician for help.

**WARNING:**

Changes or modifications to this unit not expressly approved by the party responsible for compliance could void the user's authority to operate the equipment.

## WELCOME TO THE WORLD OF HELLO KITTY

We have taken great care to make sure that your Clock Radio was in perfect working order when it left our factory. It has been designed to give you many years of enjoyment and trouble free operation. Read this manual before operating this unit to become familiar with its features and obtain the performance that will bring you continued enjoyment for many years.

For future reference, record the serial number in the space provided.

**Model Number:** KT2055

**Serial Number:** \_\_\_\_\_

## IMPORTANT NOTES

Avoid installing the unit in locations described below:

- Places exposed to direct sunlight or close to heat radiating appliances such as electric heaters.
- Dusty, humid or moist places.
- Sources of radio interferences such as fluorescent lamps or personal computers.
- Places subject to constant vibrations.

## POWER SOURCE

This radio is designed to operate on normal 120V~ 60Hz AC power only. Do not attempt to operate the radio on any other power source. You could cause damage to the radio that is not covered by your warranty.

The polarized AC plug of the radio should be connected to an AC outlet that is always 'live'. Do not connect it to an outlet that is controlled by a wall switch. When the power to the radio is interrupted, the battery backup system takes over to maintain the time and alarm settings. To maximize the life of the backup battery, keep the radio connected to a 'live' AC outlet at all times.

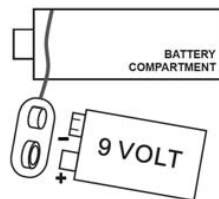
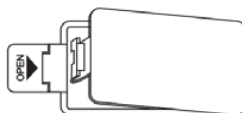
## BATTERY BACKUP SYSTEM

The battery backup system in this clock radio will maintain the time and alarm settings in the event of power outage. When the AC power is restored the time and alarm settings will be correct. If the AC power is off at your wake up time, the system will use the battery power to turn on the radio or buzzer alarm as usual, as long as the backup battery is installed and has sufficient power remaining.

The battery backup system requires one 9V (type 6LR61) battery (not included). We recommend that you install an alkaline battery for longest life and best performance.

## TO INSTALL THE BATTERY

- Open the battery compartment cover on the bottom of the radio by pressing the tab in the direction of the arrow.
- Connect the 9V (type 6LR61) battery to the battery clip. It can only be connected one way.
- Push the battery into the battery compartment and replace the cover.



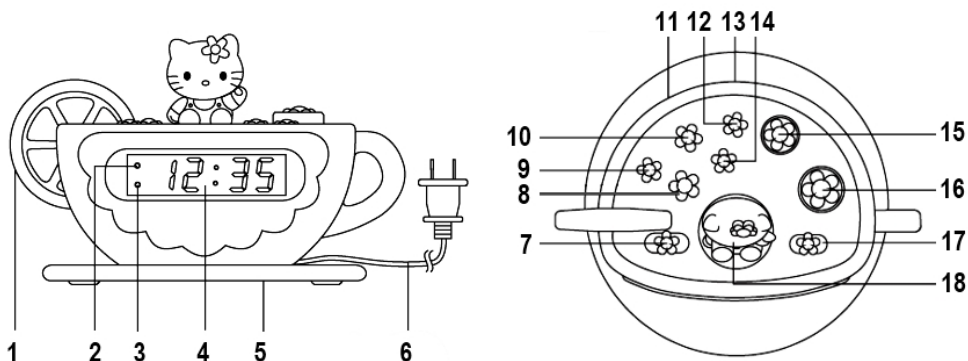
## POWER FAILURE INDICATOR

If no battery is installed in the radio, or if the battery in the compartment is weak or dead, the time and alarm settings will be lost when the power is interrupted. When the AC power is restored the clock display will begin flashing. This indicates that the time display is incorrect and needs to be set up again.

### IMPORTANT:

After setting up the time, be sure to set up your alarm settings as well.

## LOCATION OF CONTROLS AND INDICATORS



1. Night Light	10. TIME Adjustment Button
2. AM Indicator	11. LIGHT (ON/OFF) Switch (at rear cabinet)
3. ALM (Alarm) 'On' Indicator	12. HOUR Button
4. LED Clock Display	13. Speaker (at rear cabinet)
5. Battery Compartment (on bottom of cabinet)	14. MIN. (Minute) Button
6. AC Power Cord with polarized plug	15. VOLUME Control
7. ALARM Selector Switch (OFF/ON/AUTO/BUZZER)	16. TUNING Control
8. ALARM/RESET Button (Alarm Time Adjustment)	17. BAND (AM/FM) Selector Switch
9. SLEEP Button	18. SNOOZE button (Hello Kitty Doll)

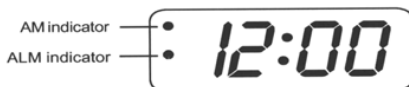
## OPERATING INSTRUCTIONS

### SETTING THE CLOCK

When you connect the radio to your AC outlet for the first time the clock display will begin flashing "12:00". The flashing will stop when you set the time.

1. Press and hold the TIME button and the HOUR button to set the correct Hour.

2. Press and hold the TIME button and the MIN button to set the correct Minute.



**NOTE:** Be sure to observe the AM indicator to make sure that the time is set correctly for AM or PM. If the AM indicator is 'On', the time displayed is "AM". If the AM indicator is 'Off', the time displayed is "PM".

### SETTING THE WAKE UP TIME

1. Press and hold the ALARM/RESET button and the HOUR button to set the correct wake up Hour.
2. Press and hold the ALARM/RESET button and the MIN button to set the correct wake up Minute.

**NOTE:** Be sure that you have set the wake up time correctly by observing the AM indicator. If the AM indicator is 'On' the wake up time is "AM". If the AM indicator is "Off" the wake up time is "PM".

### CHECKING THE WAKE UP TIME

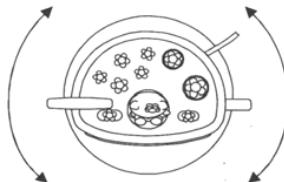
Whenever you want to check the wake up time, simply press ALARM/RESET button. The display will change from current time to wake up time. Release the ALARM/RESET buttons to return to current time.

### LISTENING TO THE RADIO

1. Set the BAND selector to the desired band, AM or FM.
2. Set the VOLUME control to a low setting.
3. Slide the ALARM switch to the ON position.
4. Select your desired station with the TUNING control.
5. Adjust the VOLUME control to the desired setting.
6. When you are finished listening, slide the ALARM selector to OFF position to turn the radio "Off".

### ANTENNA INFORMATION

AM - The AM bar antenna is inside the cabinet. If AM reception is weak, change the position of cabinet until the internal antenna picks up the strongest signal,



FM - The FM antenna is built into the AC Power Cord of the unit. Always fully extend this cord for best FM reception. If FM reception is still weak, try varying the position and direction of the power cord until you find the strongest signal.

### WAKE TO RADIO

1. Slide the ALARM selector to ON and select the band, station, and volume level that you wish to hear when the alarm comes 'On', then slide the ALARM selector to AUTO position.
2. Reconfirm the wake up time settings by pressing the ALARM/RESET button.

3. At the selected wake up time the radio will turn 'On'. It will play for about two hours and then shut off automatically.
4. To stop the radio sooner, press ALARM/RESET button. The radio will stop but the alarm remains set and will turn the radio on again at the same time on the following day.
5. If you do not want the alarm to turn the radio on the following day, set the ALARM selector to the 'OFF' position.

### **WAKE TO BUZZER**

1. Set the ALARM selector to the BUZZER position. The ALM indicator will light up to confirm that the alarm is set.
2. At the selected wake up time the buzzer will sound. It will continue for about two hours and then shut off automatically.
3. To stop the buzzer sooner, press the ALARM/RESET button. The buzzer will stop but the alarm remains set and will turn the buzzer on again at the same time on the following day.
4. If you do not want the alarm to turn the buzzer on the following day, set the appropriate ALARM selector to the 'OFF' position.

### **SNOOZE ALARM**

After the radio or buzzer alarm sounds, you may press the SNOOZE button (Hello Kitty Doll) for a few more minutes sleep. The alarm will stop for approximately 9 minutes and then turn on again.

### **SLEEP TIMER**

You can program the sleep timer to play the radio from 1 minute to 1 hour 59 minutes and then shut off automatically.

1. Set the ALARM selector to AUTO position. Press and hold the SLEEP button, the display will briefly show "0: 59" and the radio will begin to play.
2. While holding the SLEEP button, the display shows the remaining radio play time. The default time is 59 minutes. Holding the SLEEP button and press the HOUR button once to set the sleep timer to "1:59".
3. To shorten the time to shut off, keep holding the SLEEP button and press the MIN button to reduce remaining time by minute count.
4. Release the SLEEP button when the desired time is set.
5. To switch off the radio before the preset sleep time, press the SNOOZE button.
6. After the sleep timer is set, press the SLEEP button again will set the sleep timer again from "0:59"

### **SLEEP AND WAKE TO RADIO**

1. Set the desired alarm time as described in "SETTING THE WAKE UP TIME" and set the ALARM selector to AUTO position.
2. Set the sleep timer as described in "SLEEP TIMER".
3. The radio will switch off after the preset sleep time has elapsed and radio alarm will switch on next day at the preset wake up time.

### **IMPORTANT:**

Remember that the station and volume settings you choose for the "Sleep To Music" operation are the same settings you will hear if you set the alarm for "Wake To Radio" the following morning.



## **NIGHT LIGHT OPERATION**

The "Lemon Slice" on the side of the tea cup also functions as a Mini Night Light to provide a soft, yet reassuring amber 'glow' on a desk or bedside table. Turn the Night Light 'On' or 'Off' with the slide switch located on the back of the cabinet.

**NOTE:** The long life LEDs inside the Night Light should last for the life of the clock radio. They are not consumer replaceable.

## **CARE AND MAINTENANCE**

There are no user serviceable parts inside this clock radio. Please refer all service problems to a qualified service facility.

If the cabinet becomes dusty, wipe the exterior with a soft dust cloth only. Never use dusting sprays or polishes on the cabinet.

If the cabinet becomes dirty or smudged with fingerprints, wipe it with a soft cloth that has been slightly dampened (never wet) with a mild soap and water solution.

Always disconnect the power cord from the AC outlet before cleaning, and never allow any liquid to get inside the cabinet.

**NOTE:** If there is no battery in the backup battery compartment, the Time and Alarm settings will be lost when the AC power cord is disconnected for cleaning. Be sure to set up the clock and wake up time again after reconnecting the AC power cord.

## **90 DAY LIMITED WARRANTY AND SERVICE VALID IN THE U.S.A. ONLY**

SPECTRA MERCHANDISING INTERNATIONAL, INC. warrants this unit to be free from defective materials or factory workmanship for a period of 90 days from the date of original customer purchase and provided the product is utilized within the U.S.A. This warranty is not assignable or transferable. Our obligation under this warranty is the repair or replacement of the defective unit or any part thereof, except batteries, when it is returned to the SPECTRA Service Department, accompanied by proof of the date of original consumer purchase, such as a duplicate copy of a sales receipt.

You must pay all shipping charges required to ship the product to SPECTRA for warranty service. If the product is repaired or replaced under warranty, the return charges will be at SPECTRA's expense. There are no other express warranties other than those stated herein.

This warranty is valid only in accordance with the conditions set forth below:

1. The warranty applies to the SPECTRA product only while:
  - a. It remains in the possession of the original purchaser and proof of purchase is demonstrated.
  - b. It has not been subjected to accident, misuse, abuse, improper service, usage outside the descriptions and warnings covered within the user manual or non-SPECTRA approved modifications.
  - c. Claims are made within the warranty period.
2. This warranty does not cover damage or equipment failure caused by electrical wiring not in compliance with electrical codes or SPECTRA user manual specifications, or failure to provide reasonable care and necessary maintenance as outlined in the user manual.
3. Warranty of all SPECTRA products applies to residential use only and is void when products are used in a nonresidential environment or installed outside the United States.

This warranty gives you specific legal rights, and you may also have other rights which vary from state to state. TO OBTAIN SERVICE please remove all batteries (if any) and pack the unit carefully and send it freight prepaid to SPECTRA at the address shown below. IF THE UNIT IS RETURNED WITHIN THE WARRANTY PERIOD shown above, please include a proof of purchase (dated cash register receipt) so that we may establish your eligibility for warranty service and repair of the unit without cost. Also include a note with a description explaining how the unit is defective. A customer service representative may need to contact you regarding the status of your repair, so please include your name, address, phone number and email address to expedite the process.

IF THE UNIT IS OUTSIDE THE WARRANTY PERIOD, please include a check for \$10.00 to cover the cost of repair, handling and return postage. All out of warranty returns must be sent prepaid.

It is recommended that you contact SPECTRA first at 1-800-777-5331 or by email at [custserv@spectrainintl.com](mailto:custserv@spectrainintl.com) for updated information on the unit requiring service. In some cases the model you have may be discontinued, and SPECTRA reserves the right to offer alternative options for repair or replacement.

SPECTRA MERCHANDISING INTERNATIONAL, INC.  
4230 North Normandy Avenue,  
Chicago, IL60634, USA.  
1-800-777-5331

To register your product, visit the link below to enter your information.  
<http://www.spectrainintl.com/wform.htm>

0512

Printed in China